

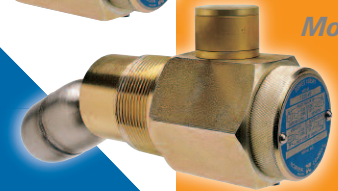
# Series 1005P1 Pneumatic Liquid Level Switch

## Rugged and Reliable:

Used as a panel alarm or for control valve operation



Model (P)



Model (O)

*Model 1005P1 is a float-actuated, pneumatic switch that opens or closes a block and bleed snap-acting valve. This switch is used as either a high or low level alarm with pneumatic panels. Model P is the same as Model O except a pneumatic 3-way pilot valve is added. This style is for use with a pneumatically operated control valve to control liquids in separators and scrubbers, etc.*

### Special Feature

- 3-way pilot valve has a built in manual override and porting for piped exhaust

### Specifications

#### Body

- Process Connection  
2.00" NPT
- Material  
Carbon steel plated (std.)  
316 stainless steel (opt.)
- Pressure rating  
1500 psig
- Vent connection  
0.25" NPT (female)

#### Float

- Material  
304 stainless steel

#### Seals

- Material (wetted)  
Fluorocarbon (std.), nitrile (opt.)
- Material (non-wetted)  
Nitrile (Std.), fluorocarbon (opt.)

#### Air

- Supply  
Min. operating 15 psig  
Max. operating 50 psi  
Max. allowable 100 psi
- Connection  
0.125" NPT (female)

#### Pilot

- Type  
3-way
- Connection  
0.125" NPT (female)
- Pressure gauge  
0-30 psig (std.) 0-60 psig (opt.)

#### Temperature Rating

- 180° F (std.) 250° (opt.)

#### Specific Gravity (Min.)

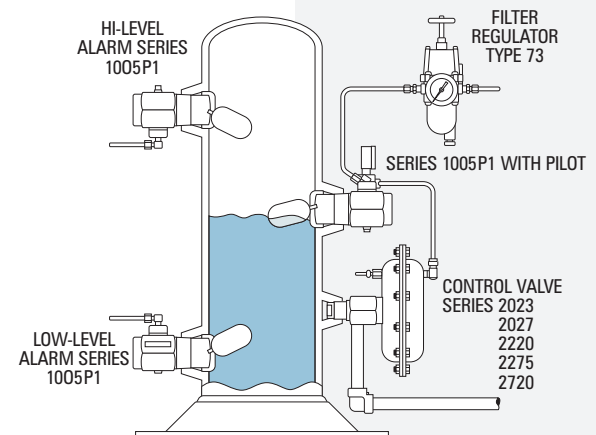
- 0.60 (std.)  
Lower specific gravities,  
consult factory

#### Optional Items

- Float extension arms
- Pipe adapter .125" M x .250" F
- Filter/regulators with gauges
- 40 micron filter
- External float chambers

#### Flow Coefficients (Cv)

- Block & bleed output 0.11
- Pilot output 0.28
- Pilot consumption 0.007



### Typical separator/scrubber installation

Note: A supply filter/regulator should be installed to provide clean, dry air for proper performance of switch.

# Model Code

## How to Order

1. Specify Series 1005P1
2. Select Model Number

BODY MATERIAL	
Type	Code
1018 carbon steel	1018
316 stainless steel	0316

SERVICE			
Service	Arm/Stem	Float	Code
Standard	316 SST	316 SST	-
H <sub>2</sub> S	316 SST	316 SST	N*

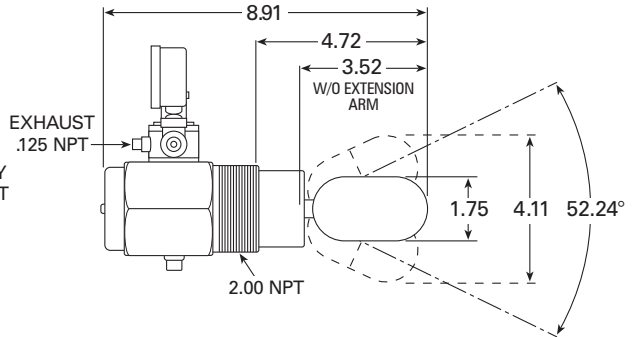
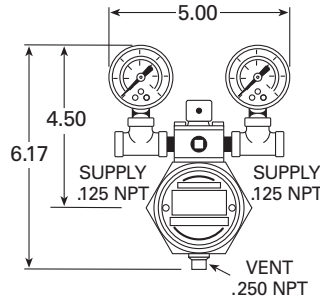
\* Compliance with NACE Spec. MR 0175

**1018 - V P**

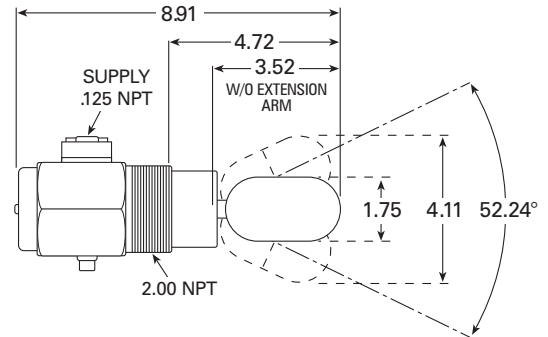
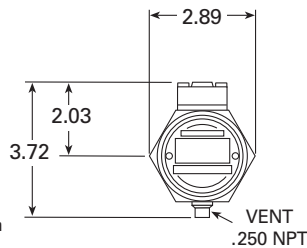
PILOT OPTION	
Code	Option
P	With pilot and gauges
O	Without pilot
N	With pilot and no gauges

SEAL MATERIAL			
Code	Wetted	Nonwetted	Max. Temp.
V (Std)	Viton	Buna N	180° F
H	Buna N	Buna N	180° F
F	Viton	Viton	250° F

*Series 1005P1  
Block and Bleed  
with Pilot, Model P*



*Series 1005P1  
Block and Bleed,  
Model O*



Note: Do not install standard units in a full pipe coupling.



6939 - 68 Avenue NW, Edmonton, Alberta T6B 3E3  
 Phone: (780) 434-8566 • Fax: (780) 434-4267  
[www.albertaoiltool.com](http://www.albertaoiltool.com)

*Please contact your  
Norriseal representative  
for more details and  
assistance in specifying  
the optimal solution for  
your application.*

Due to the continuous improvement program at Norriseal, specifications and/or prices are subject to change without notice or obligation.  
 All trademarks contained herein are the property of their respective owners.

© 2012 Norriseal, A Dover Company

1005P0212T-AOT