

NORRISEAL CONTROLS



MANUFACTURED IN CANADA BY ALBERTA OIL TOOL

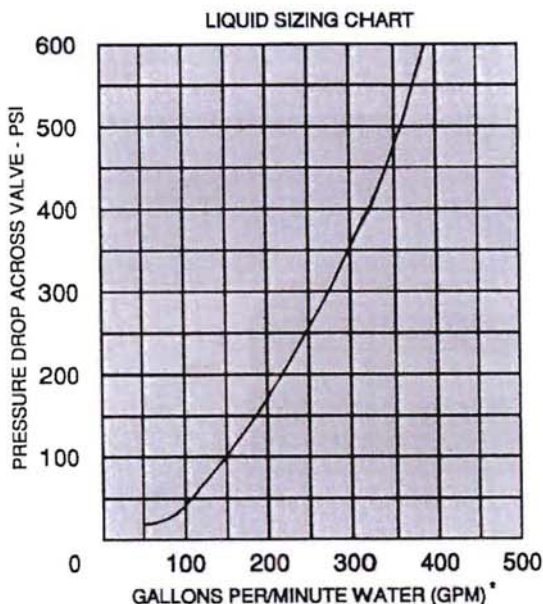
SERIES 2" 2075 LOW COST CONTROL VALVE

FEATURES

- 1.25" Orifice Seat
- Soft Seat
- Screwed End Connections
- Globe or Angle Ductile Iron Body
- 600 psi working pressure
- Reverse or Direct Actuator
- Adjustable or Non-Adjustable Actuator
- Stainless Steel Trim
- Bolted Closure

APPLICATION

The Series 2075 is ideal for applications where Ductile Iron can be used on high or low pressure separators, dehydrators and other type pressure vessels.



MAXIMUM DIFFERENTIAL PRESSURES (ΔP)
NO. 9 AND NO.12 ADJUSTABLE ACTUATOR

Diaphragm Supply Pressure	Flow Under Seat				Flow Over Seat			
	No. 9		No. 12		No. 9		No. 12	
	Rev.	Dir.	Rev.	Dir.	Rev.	Dir.	Rev.	Dir.
18	270	170	430	275	300	300	600	600
24	300	300	600	600	300	300	600	600

MAXIMUM DIFFERENTIAL PRESSURES (ΔP)
NO. 9 NON-ADJUSTABLE ACTUATOR

Diaphragm Supply Pressure	Actuator Type	Flow Under Seat		Flow Over Seat	
		Rev.	Dir.	Rev.	Dir.
12	9BA2	60	300	300	300
15	9BB2	75	300	300	300
24	9BA4	140	-	300	-
32	9BB4	180	-	300	-

NOTES:

1. Maximum Operating Temperature 180° F
2. Maximum Flow Coefficient (CV) for Globe or Angle Body is 16.0
3. * For Gravity Correction, Multiply GPM by $1/\sqrt{SP.GR.}$
4. For Barrels Per Day, Multiply GPM by 34.3

NOTE: For direct actuators, spring is assumed to be adjusted such that valve begins to close at 3 psi to diaphragm. For reverse actuators, spring is assumed to be adjusted such that valve reaches full open position at supply pressure indicated.

HOW TO ORDER

1. SPECIFY SERIES NUMBER - 2" SERIES 2075
2. SELECT MODEL NUMBER FROM CHART BELOW

Example: **S - 06 T G V 9 AA**

BODY CONNECTION	
TYPE	CODE
SCREWED (NPT)	S

SERVICE	
TYPE	CODE
STANDARD	

BODY RATING	
WORKING PRESSURE	CODE
600	6

ACTUATOR TYPE	
STYLE	CODE
REVERSE - ADJUSTABLE	T
REVERSE - NON-ADJUSTABLE	R
DIRECT - ADJUSTABLE	B
DIRECT - NON-ADJUSTABLE	D

ACTUATOR SPRINGS		
CODE	ADJUSTABLE	NON-ADJUSTABLE
AA	9	
HA	12	
BA2		9 REVERSE & DIRECT
BA4		9 REVERSE ONLY
BB2		9 REVERSE & DIRECT
BB4		9 REVERSE ONLY

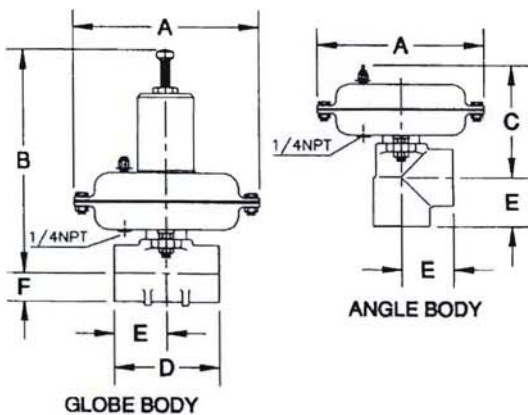
ACTUATOR SIZE	
CODE	DIAMETER
9	9.50"
12	12.50"

SEALS	
CODE	MATERIAL
V	VITON

BODY STYLE	
CODE	FLOW PATTERN
G	GLOBE
A	ANGLE

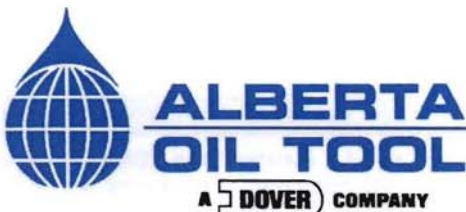
3. SELECT TRIM MATERIAL FROM CHART

TRIM MATERIAL	
STANDARD	303SST/TEFLON
OPTIONAL	303SST/VITON



ACTUATOR SIZE	A	B		
		REVERSE	DIRECT	NON-ADJUSTABLE
9	9.50	11.38	12.25	6.19
12	12.50	13.25	13.75	---

BODY DIMENSIONS			
BODY STYLE	D	E	F
GLOBE	6.00	3.00	1.75
ANGLE	---	3.00	---



ISSUE DATE: 5/1/06
REVISION: E

Edmonton, Alberta
9530 - 60 Avenue
T6E 0C1
(780) 434-8566
Fax (780) 434-4267
www.albertaoiltool.com