

MANUFACTURED IN CANADA BY ALBERTA OIL TOOL

SERIES 1" 2275 LOW COST CONTROL VALVE

FEATURES

- Screwed or Flanged End Connections
- Forged Steel Body Tee (A350-LF2)
- 4000 PSI W.P.
- Direct or Reverse Actuator
- Non-Adjustable or Adjustable Actuator
- Stainless Steel Trim
- Optional Trim Available
- Meets NACE MR-01-75
- Screwed Closure

APPLICATION

The Series 2275 is ideal for use as a dump valve on high or low pressure liquid service on separators, dehydrators, etc. The 2275 can also be used as a back pressure or reducing valve when used with a pressure pilot.



MAXIMUM DIFFERENTIAL PRESSURES (ΔP)¹ NO. 9 ACTUATOR

ORIFICE SIZE	FLOW DIRECTION	SUPPLY ² PRESSURE	ADJUSTABLE ACTUATOR		NON-ADJUSTABLE ACTUATOR				
			9AA		9BA2		9BB2	9BA4	9BB4
			REVERSE	DIRECT ³	REVERSE	DIRECT	REVERSE	REVERSE	REVERSE
0.125" (1/8") 0.250" (1/4")	UNDER SEAT	20 30	4000 4000	4000 4000	2150 2150	3200 4000	3300 3300	4000 4000	--- 4000
	OVER SEAT	20 30	4000 4000	4000 4000	2400 2400	4000 4000	1500 1500	2100 2100	--- 3400
0.375" (3/8")	UNDER SEAT	20 30	3800* 4000	2200* 4000	900 900	1200 4000	1500 1500	2100 2100	--- 3400
	OVER SEAT	20 30	4000 4000	4000 4000	4000 4000	4000 4000	4000 4000	4000 4000	--- 4000
0.50" (1/2")	UNDER SEAT	20 30	1800* 2000*	1000* 2400*	550 550	300 1600	1000 1000	1150 1150	--- 2000
	OVER SEAT	20 30	4000 4000	4000 4000	4000 4000	4000 4000	4000 4000	4000 4000	--- 4000

* If greater differential pressures are required than those shown, a No. 12 Actuator should be used. A No.12 will double shut-offs shown.

(1.) Maximum $\Delta P = P_1 - P_2$ where $P_2 = 0$ PSIG

Maximum ΔP cannot exceed maximum valve working pressure.

(2.) Actuator supply pressure required to fully stroke valve. (3.) ΔP and supply pressure based on a 3 PSIG Actuator Spring Pre-Load.

HOW TO ORDER INFORMATION ON BACK PAGE

HOW TO ORDER

1. Specify Series Number - 1" Series 2275 (Std. Sour Service) or Series 2276 (NACE/Viton Diaphragm)
2. Select Proper Model Number From Charts Below:

EXAMPLE: S - 40 R T V - 9 BA4

BODY CONNECTION	
TYPE	CODE
SCREWED (NPT)	S
FLANGED RAISED FACE	RF
FLANGED RING JOINT	RJ

MATERIALS	
TYPE	CODE
STANDARD	-
NACE MR-01-75	N

BODY PRESSURE RATINGS		
WOG	ANSI	CODE
285	150	02
740	300	07
1480	600	14
2220	900	21
3705	1500	36
4000	--	40

ACTUATOR TYPE	
STYLE	CODE
REVERSE NON-ADJUSTABLE	R
REVERSE ADJUSTABLE	T
DIRECT NON-ADJUSTABLE	D
DIRECT ADJUSTABLE	B

ACTUATOR SPRINGS		
CODE	ADJUSTABLE	NON-ADJUSTABLE
AA	9	
BA2		9
BB2		9 REV. ONLY
BA4		9 REV. ONLY
BB4		9 REV. ONLY

ACTUATOR SIZE	
CODE	NOM. DIAMETER
9	9.5

PACKING	
CODE	MATERIAL
-	TEFLON

CODE	SEALS	DIAPHRAGM
	MATERIAL	
V	VITON	NEOPRENE (STD.)
O	VITON (2276)	VITON (2276)

BODY STYLE	
CODE	TYPE
T	TEE

TRIM MATERIAL	
STANDARD/NACE	316 SS
OPTIONAL/NACE	CARBIDE/316 SS
OPTIONAL/NACE	NORKOTE

3. Select Trim Size and Trim Material, i.e., 1/4" 316 SS.

4. Specify Optional Equipment and Accessory Required.

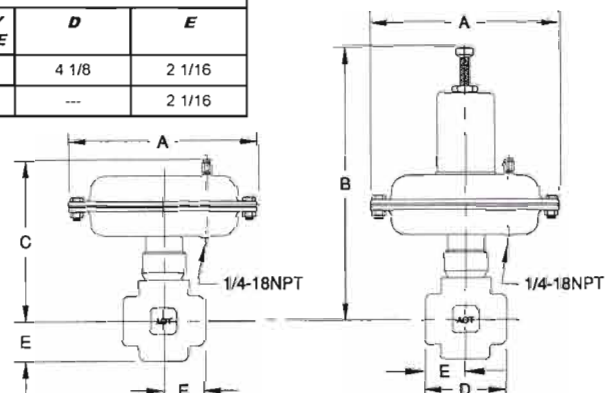
SIZE	A	ACTUATOR DIMENSIONS		
		B		C
		REVERSE	DIRECT	NON-ADJUSTABLE
9	9 1/2	14.50	15.50	9.00
12	12 1/2	16.50	16.50	---

SERIES 1.00" 2275 DUMP VALVE Maximum Flow Coefficients (Cv)¹

ORIFICE SIZE	FLOW DIRECTION	FLOW COEFFICIENT (Cv) ²	
		VALVE BODY GLOBE	FLOW PATTERN ANGLE
0.125"	Under Seat	.85	.93
	Over Seat	.91	1.2
0.250"	Under Seat	2.6	2.8
	Over Seat	3.0	3.5
0.375"	Under Seat	3.5	4.8
	Over Seat	3.9	5.1
0.500"	Under Seat	5.5	5.6
	Over Seat	5.5	6.0

- NOTES: (1) As determined per ISA-S39.2 test method.
(2) Cv values with valve in full open position.

* SCREWED BODY DIMENSIONS		
BODY STYLE	D	E
Globe	4 1/8	2 1/16
Angle	---	2 1/16



NON-ADJUSTABLE ACT.

ADJUSTABLE ACT.

* For Flange Body Dimensions Consult Factory